

## DESCRIPTION

FWU egress windows will not only light up a room, but they also provide an easy access to the roof, or a way of escape in case of emergency. FWU roof access windows are designed for rooms where building codes require two methods of escape. We recommend that you install FAKRO roof access windows for use as an egress roof window for safety and building code approval. The roof access window is available in two versions: right opening FWU-R or left opening FWU-L (pictured). FWU size 24/46 windows are officially recognized as a certified Fire Exit roof window (Egress window\*) and can help save lives in case of emergencies such as a fire or flood.



SKU: **FWU R**

## DECK MOUNTED ROOF ACCESS WINDOW




## FEATURES

- Suitable for roof pitches between 15-55 degrees
- Low-emission and heat-reflecting double glazed glass
- Factory finished frame
- Handle positioned halfway up the sash for ease of opening
- Internal gasket system to collect and drain any possible condensation water to the outside
- Skylight's frame adopted for internal blinds installation
- Required special flashing ELW or EHW-A

## DIMENSIONS AND APPEARANCE

[>> CLICK TO VIEW ADDITIONAL DETAILS AND PRICING <<](#)

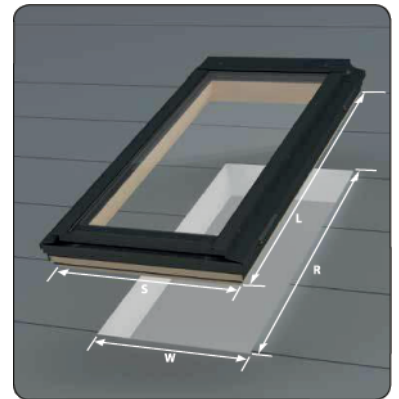
### DIMENSIONS:

Size				
Rough opening (WxR)	in.	221/4 x 371/3	221/4 x 451/4	381/2 x 473/4
Outside frame (SxL)	in.	231/2 x 381/8	231/2 x 461/4	367/8 x 461/4
Daylight area (glass)	sq. ft. m2	3.55 .33	4.52 .42	10 .93

- \* Size available to order - installs with mounting brackets.
- \* Model FWU 24/46 tested in accordance with IRC section R310.1.1, R 310.1.2, R 310.1.3, R310.1.4

### OPTIONS:

Glazing units	G3 tempered-tempered
SHGC	0.41
U-factor [BTU/h ft²F]	0.41
VT visible transmittance	0.41
CR condensation resistance	0.41
Air infiltration [cfm/ft²]	0.41
Water penetration [Pa]	0.41
Uniform Load Deflection	0.41
Uniform Load Structural	0.41




For more details see the second page

For a complete list of options visit [www.AccessDoorsAndPanels.com](http://www.AccessDoorsAndPanels.com)

## PROJECT DATA

Custom Sizes Available - Fast!

Scan  or  Click



To view Pricing and Additional Product Info.

PROJECT NAME :	QTY	W	H	OPTIONS
ARCHITECT :				
DEALER :				
CONTRACTOR :				
LOCATION :	SPECIAL INSTRUCTIONS :			
DATE :				
TAGGING INSTRUCTIONS :	SUBMITTAL APPROVAL : (signature or stamp)			

TELEPHONE:  
1-888-457-1275  
FAX:  
1-888-626-2907



PO BOX 66738 #76520,  
SAINT LOUIS, MO  
63166-6738  
USA



WEBSITE:  
[www.AccessDoorsAndPanels.com](http://www.AccessDoorsAndPanels.com)  
E-MAIL:  
[info@AccessDoorsAndPanels.com](mailto:info@AccessDoorsAndPanels.com)

**FWU R**

# DECK MOUNTED ROOF ACCESS WINDOW

